

Email (sales@ez-slider.com)

the necessary dimensions
using this simple format:

Type #

A: measurement

B: measurement

C: measurement

ETC (all that apply based on type)

A: Sleeve Outside Diameter

B: Sleeve Rough Bore Diameter

C: Sleeve Overall Length

D: Minor Outside Diameter

E: Length of Minor Diameter

F: Flange Outside Diameter

G: Flange Thickness

H: One Flat Width

I: Two Flats Width

J: Undercut .125 wide .005 - .010

K: Material (Gray, Ductile or CG Iron)

L: Quantity

EZ SLIDER
CYLINDER LINERS

QCC
Quaker City Castings

Quaker City Castings

310 East Euclid Avenue

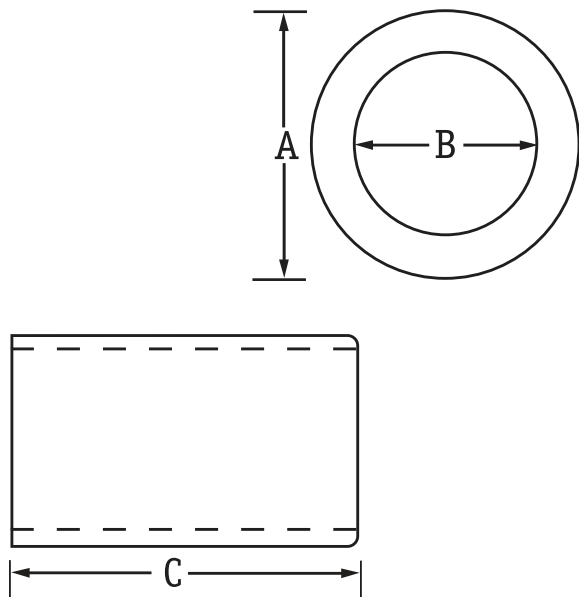
Salem, OH 44460

ph: 330-332-1566

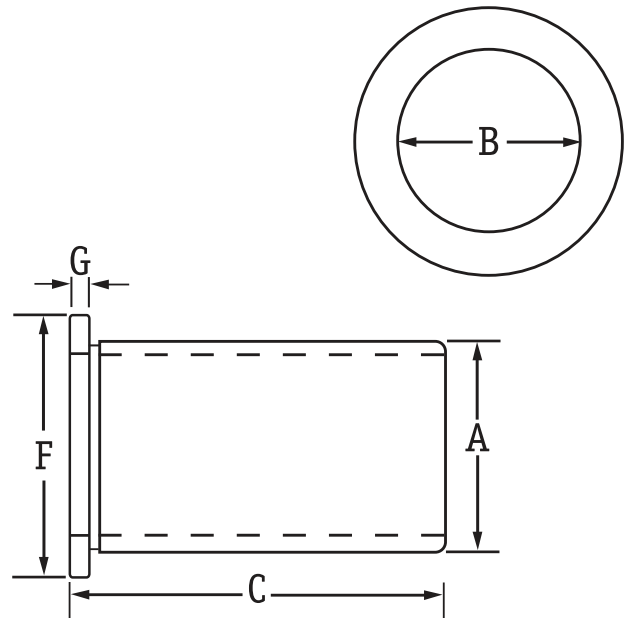
email: sales@ez-slider.com

Note: Chamfers on flange and end of sleeve
.010 - .020 x 45 unless otherwise specified

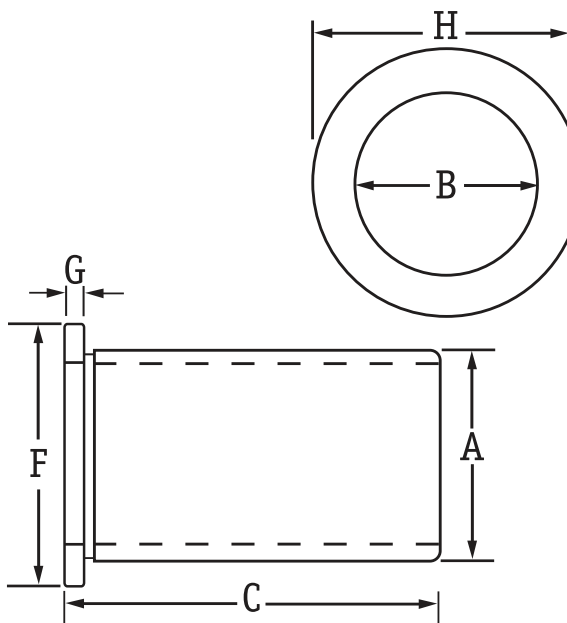
TYPE 1 Press-In No Flange



TYPE 2 Press-In Flange No Flat



TYPE 3 Press-In Flange One Flat



TYPE 4 Press-In Flange Two Flats

